



**Count on it.**

**Parts Catalog**

**eTimeCutter™ My Ride 4275T**  
**107cm Riding Mower**

Model No. 75642—Serial No. 40000000 and Up



# Ordering Replacement Parts

To order replacement parts, please supply the part number, the quantity, and the description of each part desired.

## Understanding Reference Numbers

Each identified part in an illustration has a reference number. The reference number for a part also appears in the parts list, along with other information about the part.

This catalog uses two special reference number formats, one to indicate parts in a service assembly and another to indicate the quantity of a given part in an illustration.

## Service Assembly Reference Numbers

Parts in service assemblies have reference numbers in the form a:b. The a represents the reference number of the entire service assembly and the b represents a sequential number unique to each part within the service assembly.

For example, a wheel assembly might be identified by reference number 6, the tire by 6:1, the valve by 6:2, and the wheel by 6:3. When you order the assembly identified by reference number 6, you receive all parts identified by reference numbers 6:1, 6:2, and 6:3. However, you may also order any part individually. Reference numbers of this type appear in illustration and in parts lists.

## Reference Numbers Indicating Quantity

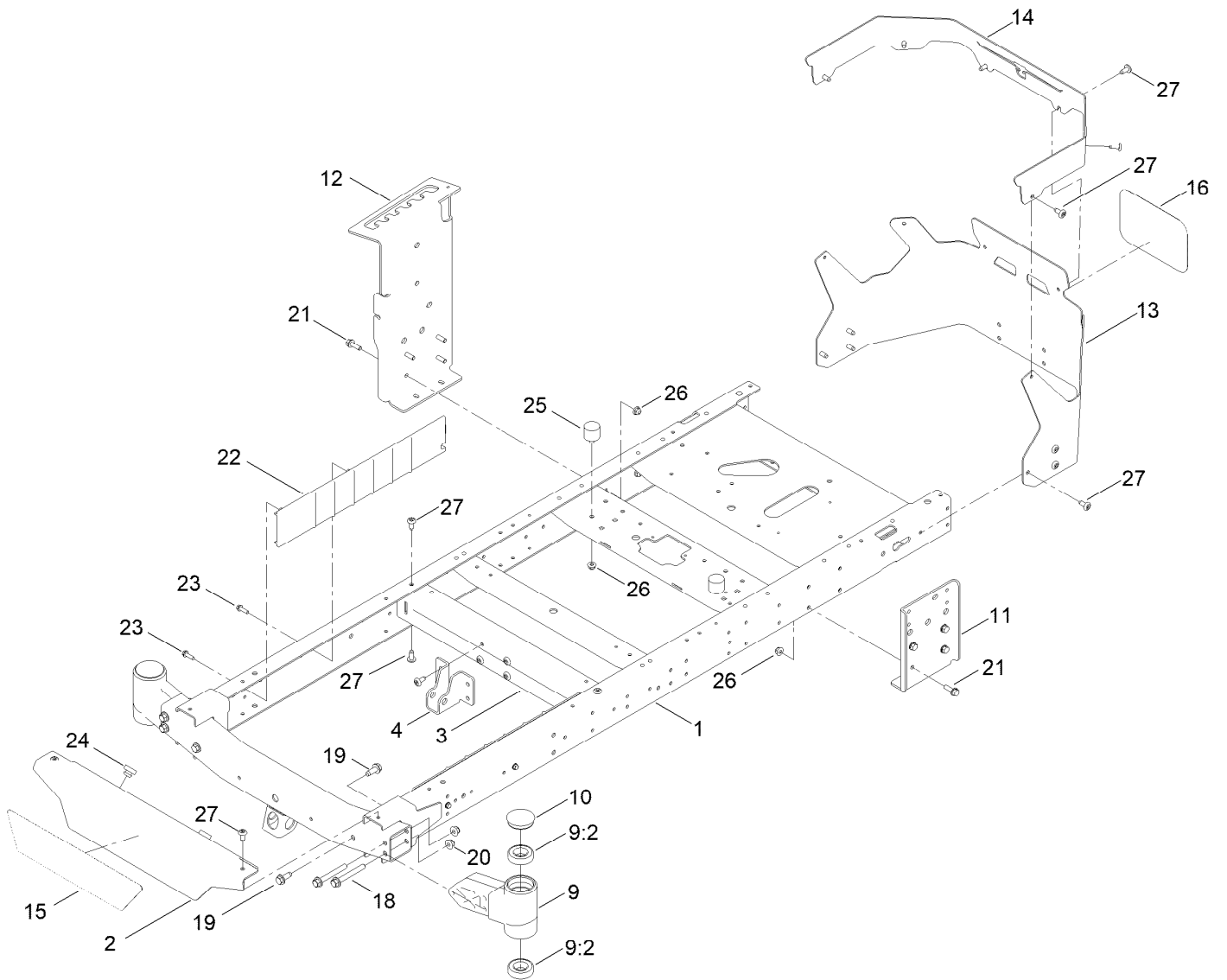
In an illustration, if a reference number indicates more than one part, the reference number has the form nX y. The n represents the quantity of the part, the X is the multiplication symbol, and the y represents the reference number.

For example, in an illustration, the reference number 2X 37 means that two of the parts identified by reference number 37 are indicated.

# Contents

Frame Assembly	4
Deck Lift Assembly	6
Caster Wheel Assembly	8
Traction Drive Assembly	10
Electric Transaxle Assembly No. 161-4488	12
Brake Assembly	14
Rear Tire Assembly	16
Seat Pan Assembly	18
Seat Assembly No. 147-8761	20
Motion Control Assembly	22
Battery Box Assembly	24
Battery Box Assembly No. 161-4483	26
Styling Pod Assembly	28
Electrical Assembly	30
Decal Specific Assembly	32
42in Deck and Decal Assembly	34
Battery Charger Kit Assembly	36
Attachments and Accessories	38

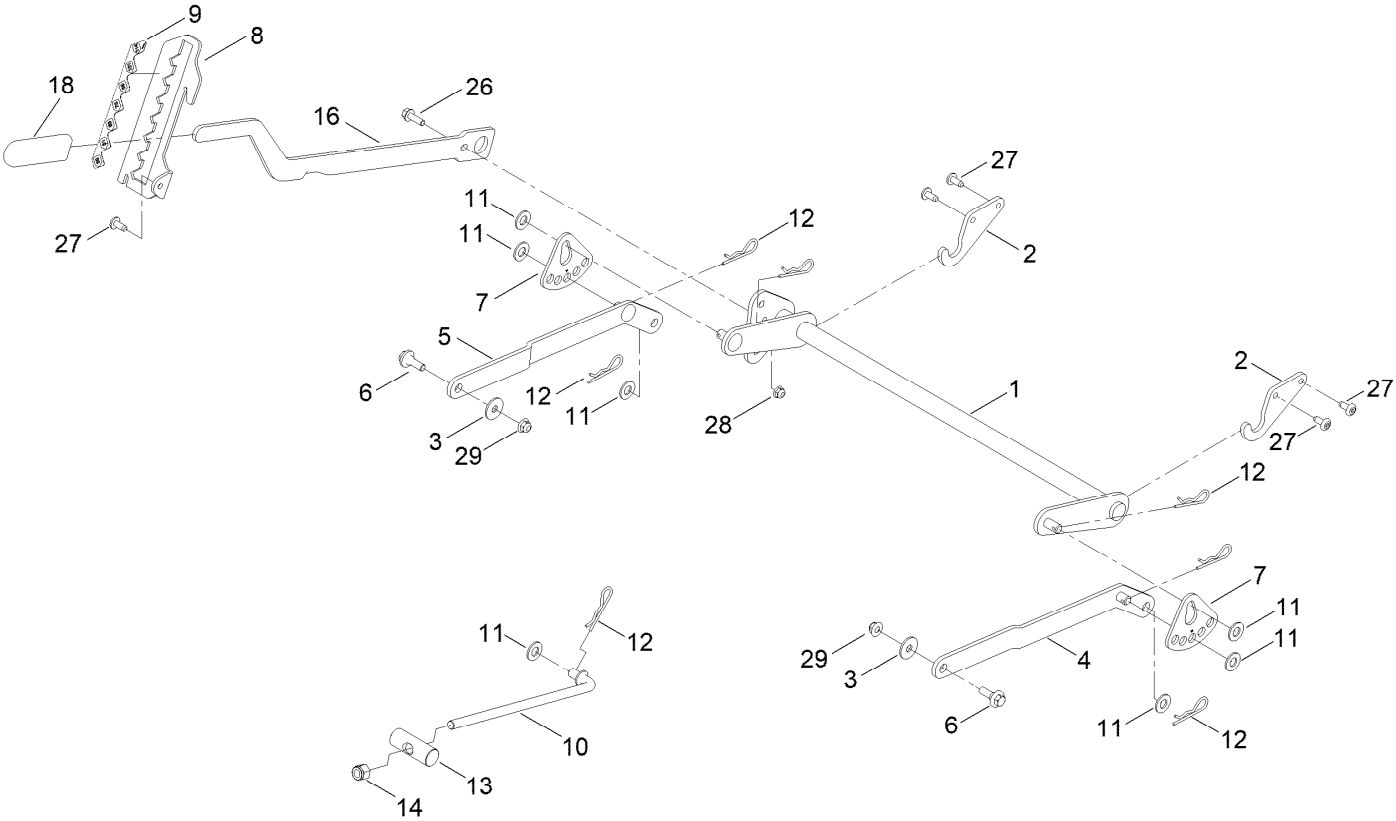
# Frame Assembly



## Frame Assembly (continued)

<i>Ref.</i>	<i>Part Number</i>	<i>Qty.</i>	<i>Description</i>	<i>Ref.</i>	<i>Part Number</i>	<i>Qty.</i>	<i>Description</i>
1	147-3005-01	1	Frame ASM [red]	15	147-7640	1	Decal-Etimecutter
2	138-7596-07	1	Footrest	16	145-1978	1	Decal-Logo, Silver
3	138-2527-01	1	Brace-Cross, Lower	18	139-2429	4	Screw-HHF
4	139-3260-01	1	Bracket-Mount Damper, Lower	19	139-2428	4	Screw-HWH
9	140-2098	2	Axle Stub ASM	20	139-2430	4	Nut-HF, NI
9:2	109-3678	2	Bearing-Ball	21	139-2596	8	Screw-HHF
10	138-7200	2	Cap-Grease	22	138-7516	2	Guard-Rail
11	145-0415-01	1	Plate-Mount, Drive	23	137-3099	4	Screw-Plastite, HWH
12	145-0416-01	1	Plate-Mount, Mr Drive	24	140-3460	2	Bumper-Rubber
13	147-5205-07	1	Guard-Rear	25	137-4803	2	Bumper-Rubber
14	147-7579-01	1	Guard-Rear, Upper	26	119-4041	10	Nut-HF
				27	138-9753	22	Screw

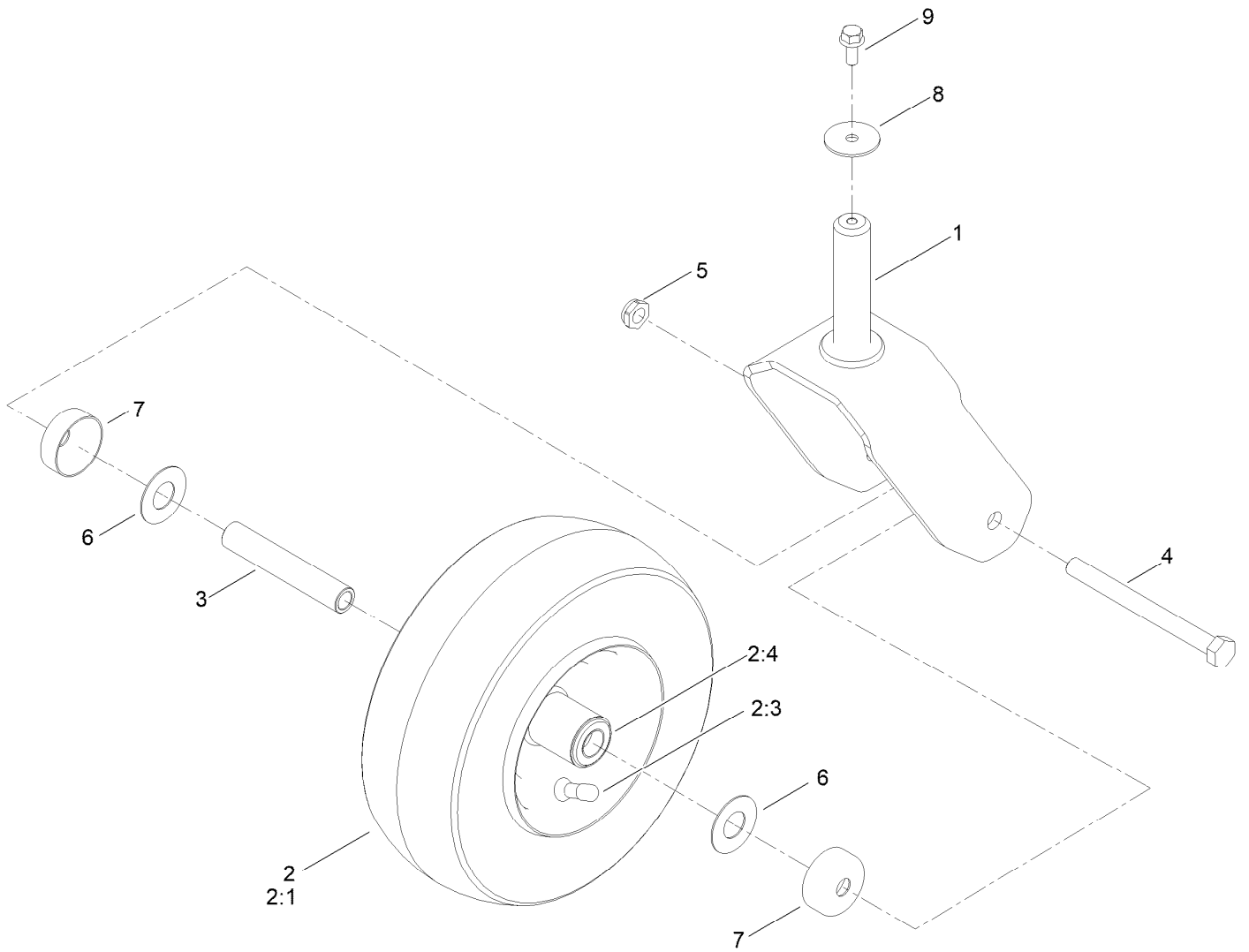
# Deck Lift Assembly



## Deck Lift Assembly (continued)

<i>Ref.</i>	<i>Part Number</i>	<i>Qty.</i>	<i>Description</i>	<i>Ref.</i>	<i>Part Number</i>	<i>Qty.</i>	<i>Description</i>
1	137-7093-03	1	Deck Lift ASM	11	139-2611	7	Washer-Flat
2	138-6021	2	Bracket-Pivot, Decklift	12	139-2562	7	Pin-Hair
3	140-5063	2	Washer-Hardened, Cz	13	119-8810	1	Pin-Pivot
4	137-9844	1	LH Arm ASM	14	139-1725	1	Nut-Hex
5	137-9846	1	RH Arm ASM	16	137-7087-03	1	Lever-Lift
6	137-9847	2	Screw-Shoulder	18	1-633268	1	Grip-Lever
7	138-2564	2	Plate-Adjustment, HOC	26	139-2596	1	Screw-HHF
8	139-2350-01	1	Bracket-HOC	27	138-9753	5	Screw
9	140-2748	1	Decal-HOC	28	119-4041	1	Nut-HF
10	138-6050	1	Rod-Mount, Deck	29	119-4042	2	Nut-HF, NI

# Caster Wheel Assembly



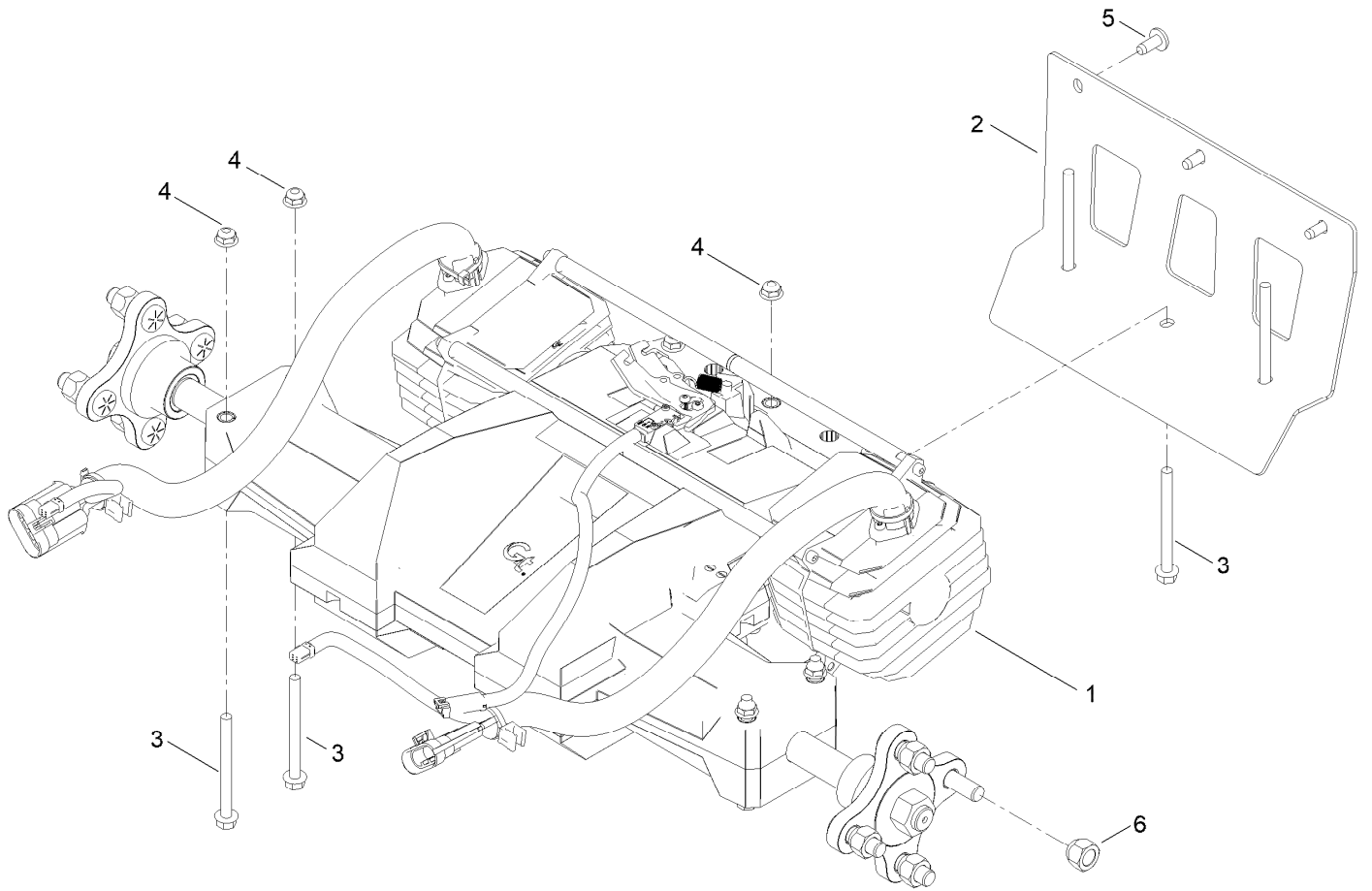


## Caster Wheel Assembly (continued)

<i>Ref.</i>	<i>Part Number</i>	<i>Qty.</i>	<i>Description</i>	<i>Ref.</i>	<i>Part Number</i>	<i>Qty.</i>	<i>Description</i>
1	139-3274-01	2	Fork ASM	4	139-2607	2	Screw-HH
2	147-5203	2	Tire ASM	5	139-2617	2	Nut-Lock, NI
2:1	147-2936	1	Tire	6	136-5590	4	Washer
2:3	232-27	1	Stem-Valve	7	138-7208	4	Guard-Seal
2:4	136-4190	2	Bearing	8	115-1151	2	Washer-Flat
2:99	105-0844	1	Tube-Inner ●	9	139-2598	2	Screw-HHF
3	147-7593	2	Spacer-Spanner				

● Not illustrated

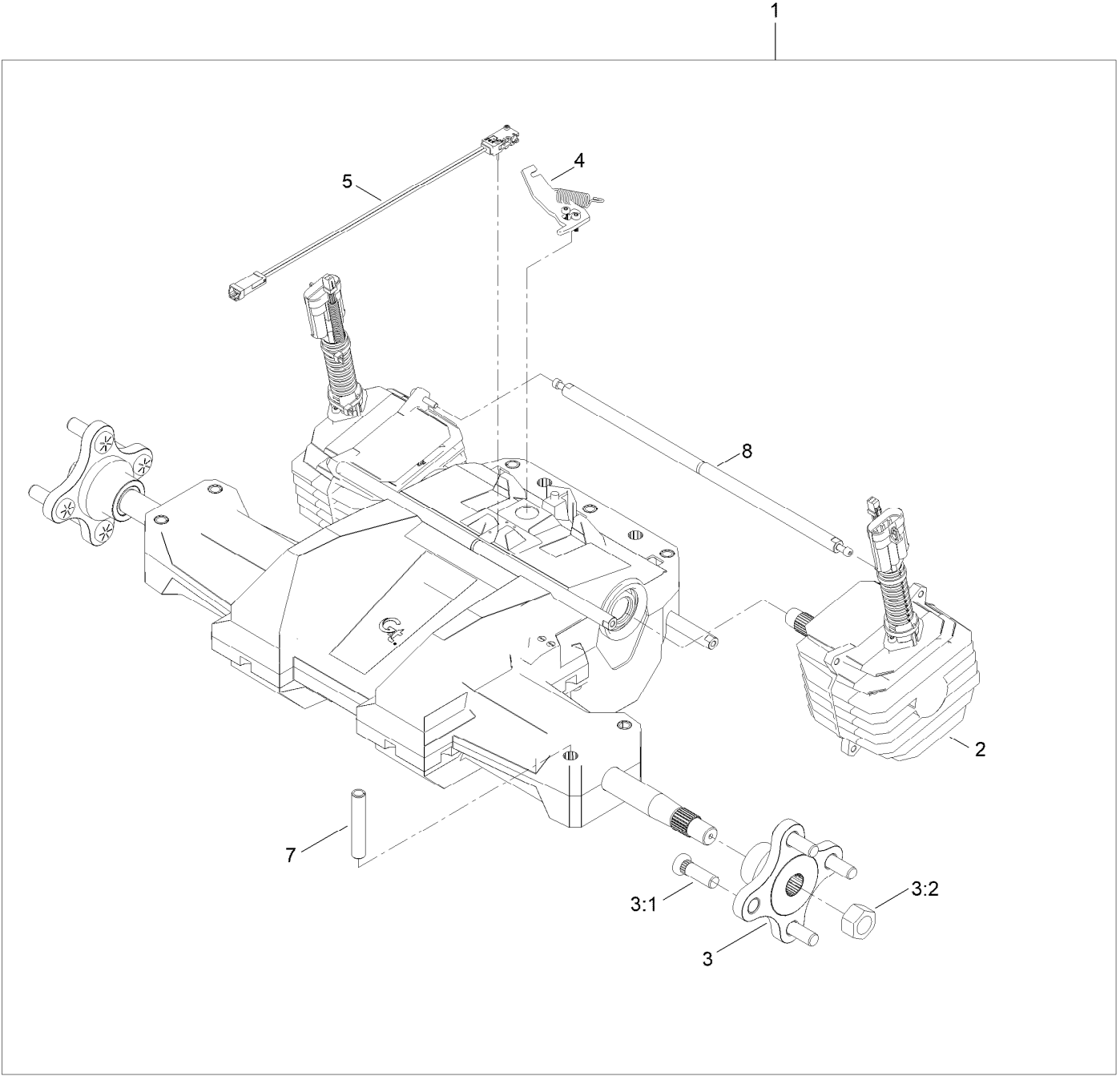
# Traction Drive Assembly



## Traction Drive Assembly (continued)

<i>Ref.</i>	<i>Part Number</i>	<i>Qty.</i>	<i>Description</i>	<i>Ref.</i>	<i>Part Number</i>	<i>Qty.</i>	<i>Description</i>
1	161-4488	1	Transaxle-Electric, 18"	4	119-4041	7	Nut-HF
2	144-5335-01	1	Bracket-Transmission	5	138-9753	3	Screw
3	147-5202	7	Screw-HH	6	139-2564	8	Nut-Lug

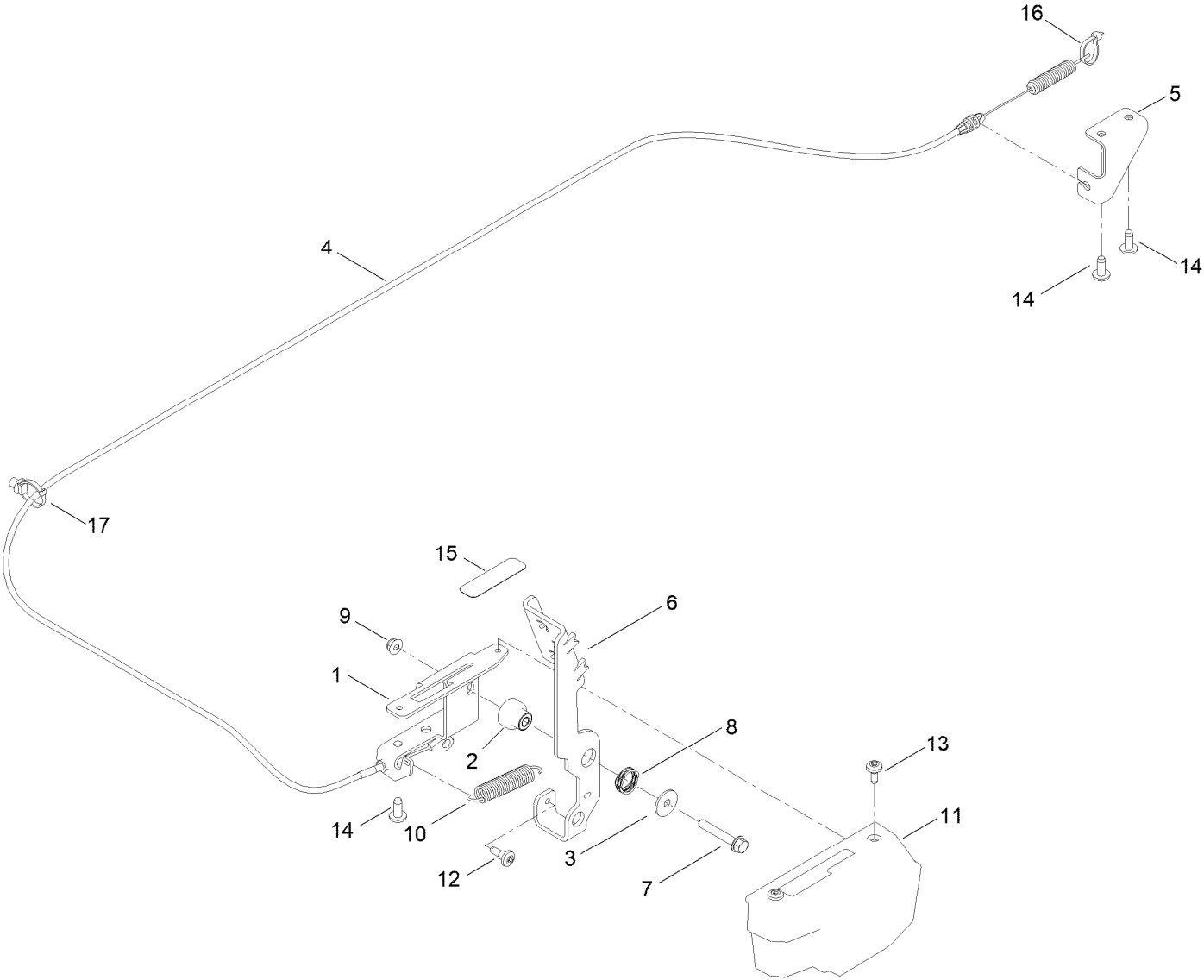
# Electric Transaxle Assembly No. 161-4488



# Electric Transaxle Assembly No. 161-4488 (continued)

<i>Ref.</i>	<i>Part Number</i>	<i>Qty.</i>	<i>Description</i>	<i>Ref.</i>	<i>Part Number</i>	<i>Qty.</i>	<i>Description</i>
1	147-2238	1	Transaxle-Electric,18" Tire	4	161-4493	1	Arm-Brake ASM
2	161-6416	2	Motor ASM	5	161-4494	1	Switch-Brake ASM
3	161-4491	2	Wheel Hub ASM	7	161-4496	7	Spacer
3:1	161-4492	4	Stud-Wheel	8	161-4497	3	Rod-Cross
3:2	161-4647	1	Nut-Hub				

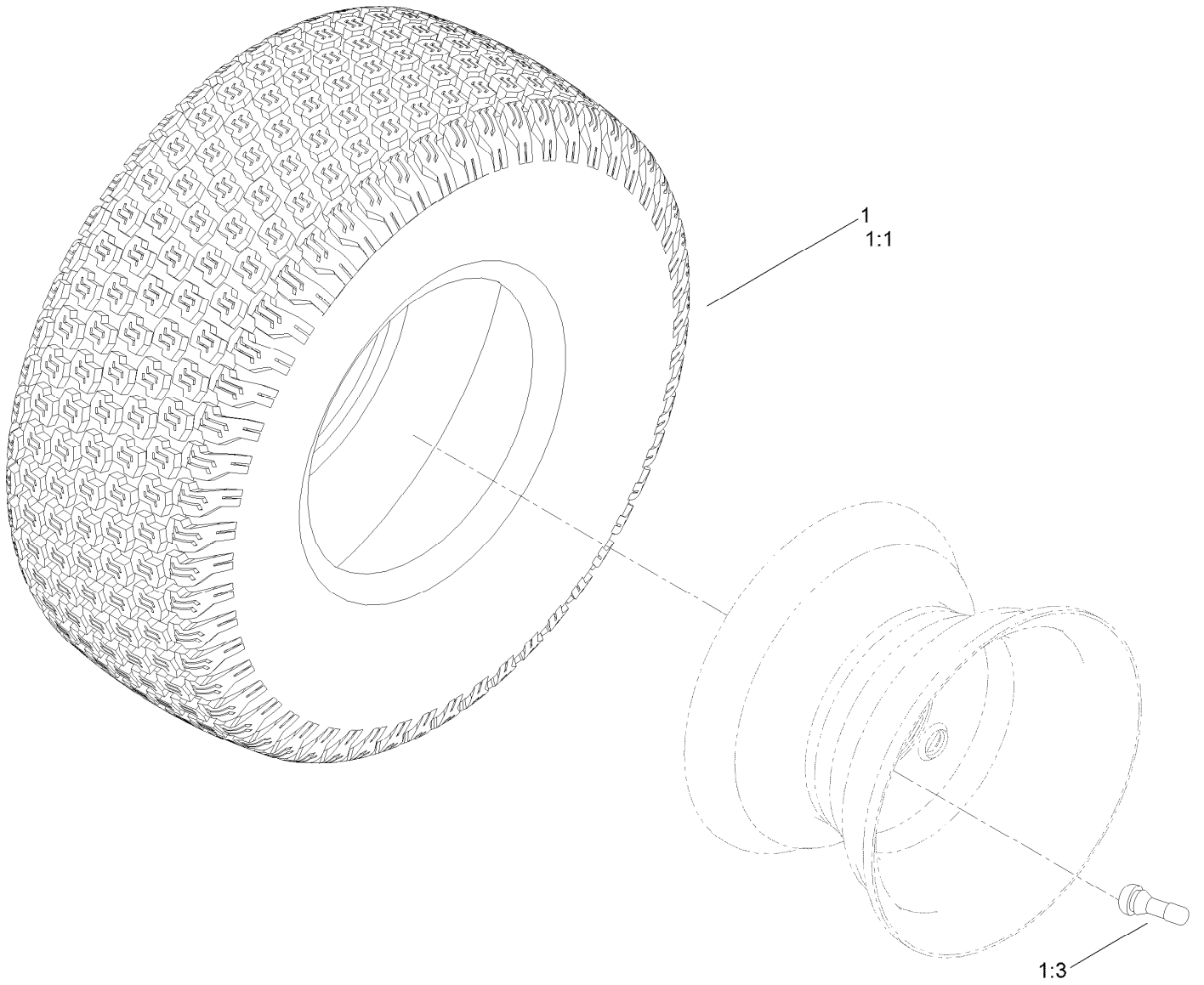
# Brake Assembly



## Brake Assembly (continued)

<i>Ref.</i>	<i>Part Number</i>	<i>Qty.</i>	<i>Description</i>	<i>Ref.</i>	<i>Part Number</i>	<i>Qty.</i>	<i>Description</i>
1	147-5182-03	1	Bracket-Pedal, Brake	10	137-7040	1	Spring-Return, Pedal
2	147-7741	1	Bushing-Flange	11	147-3048	1	Cover-Brake, Parking
3	5-4460	1	Washer-Pivot	12	135-2015	1	Screw-Shoulder
4	145-0490	1	Cable-Brake	13	120-7950	2	Screw-Torx
5	147-5201-03	1	Bracket-Cable, Brake	14	138-9753	3	Screw
6	147-5181-03	1	Pedal-Brake	15	139-1271	1	Decal-Brake, Parking
7	142-6275	1	Screw-HHF	16	1-303287	1	Tie-Cable
8	120-5116	1	Washer-Wave	17	32180-030	1	Clip-Tie
9	119-4041	1	Nut-HF				

# Rear Tire Assembly





# Rear Tire Assembly (continued)

<i>Ref.</i>	<i>Part Number</i>	<i>Qty.</i>	<i>Description</i>
1	139-5846	2	Tire ASM
1:1	126-1618	1	Tire

<i>Ref.</i>	<i>Part Number</i>	<i>Qty.</i>	<i>Description</i>
1:3	232-27	1	Stem-Valve
1:99	107-2491	1	Tube-Tire ●

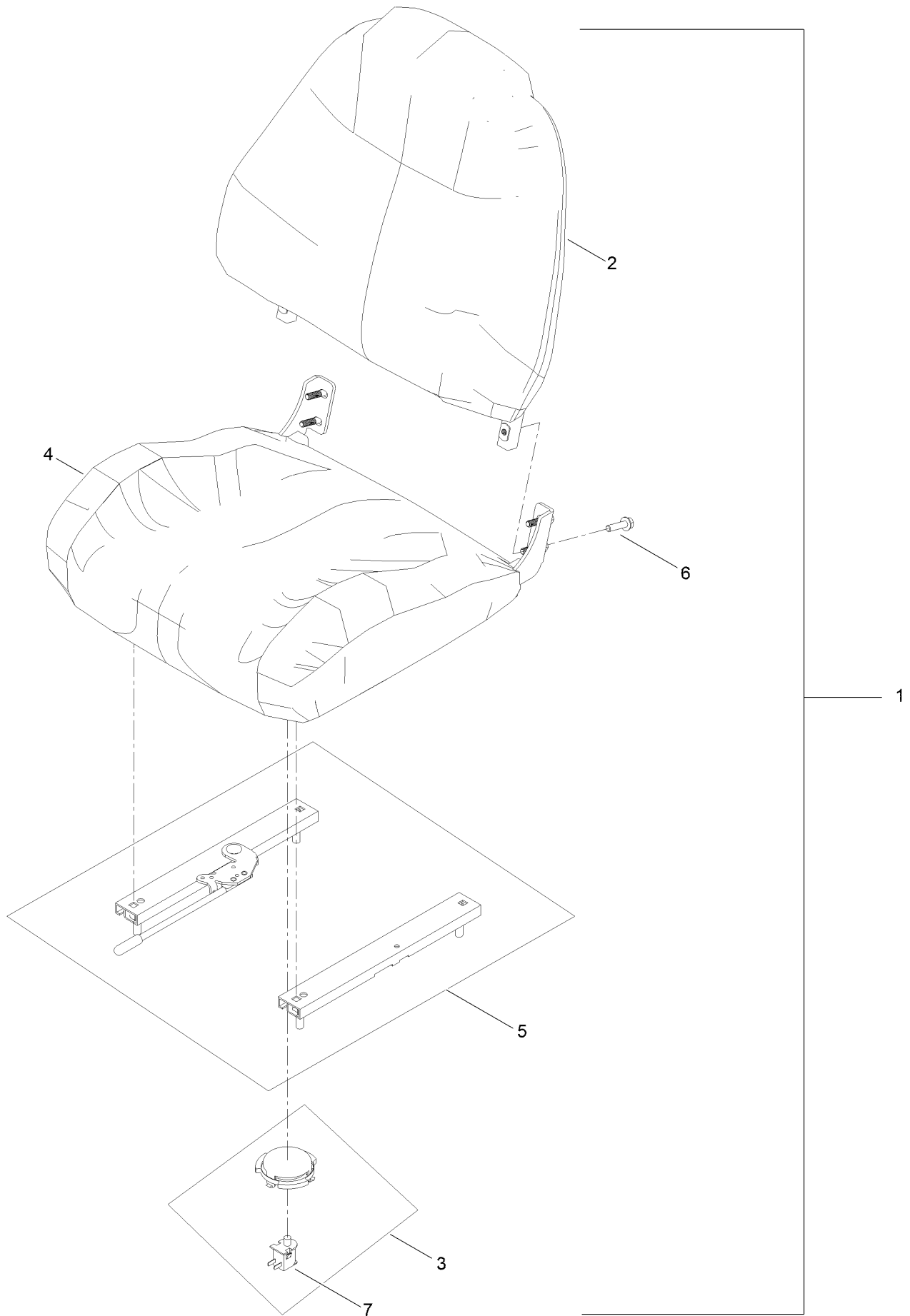
● Not illustrated



## Seat Pan Assembly (continued)

<i>Ref.</i>	<i>Part Number</i>	<i>Qty.</i>	<i>Description</i>	<i>Ref.</i>	<i>Part Number</i>	<i>Qty.</i>	<i>Description</i>
1	147-7739	1	Subframe ASM	27	133-9319-03	1	Bracket-Shock Mount, Upper (RH)
1:2	147-7616	1	Decal-Danger	28	147-7746	1	Shock/Spring ASM
1:3	140-0357	1	Decal-Myride	29	136-7198	2	Bolt-Shoulder
4	138-7517	2	Bracket-Mount, Swing Arm	30	138-2596	1	Rod-Prop, Seat
5	138-7548	1	Screw-HHF	31	135-0505	3	Bumper-Seat
6	138-7549	1	Tube-Spacer	32	138-9753	12	Screw
7	138-2563	1	Arm, Swing	33	138-9814	1	Pulley - Cam
8	138-2573	4	Bushing-Flange	34	138-9822	1	Lever - Adjustment
9	138-2547	2	Bolt-Shoulder	35	92-1057	1	Bolt-Shoulder
10	137-1983	1	Spring-Torsion, LH	36	139-5858	1	Spring-Compression
11	137-7018	1	Spring-Torsion, RH	37	140-3759	1	Bolt-Shoulder,HHF
12	138-7566-03	1	Plate-Adjuster	38	140-5176	1	Knob-Mr
13	138-9813	1	Rod-Adjustment	39	138-9848	1	Spring-Extension
14	138-9788	1	Bracket-Cable	40	139-1716	2	Screw-HH
15	139-2361-03	1	Bracket Lower	41	119-4041	7	Nut-HF
16	138-9812	1	Cable-Adjustment, Myride	42	119-4042	6	Nut-HF, NI
17	138-9776	2	Retainer-Spring	43	139-5800	1	Bushing - Flange
18	138-7522	2	Bracket-Seat	45	137-3083	1	Pin-Hair
19	120-7950	2	Screw-Torx	46	115-1166	1	Washer-Plain
20	147-7727-03	1	Pan-Seat [black]	47	32120-47	1	Ring-Retaining, External
21	135-2015	1	Screw-Shoulder	58	119-4036	4	Screw-HHF
22	147-8761	1	Seat ASM				
26	133-9318-03	1	Bracket-Shock Mount, Upper (LH)				

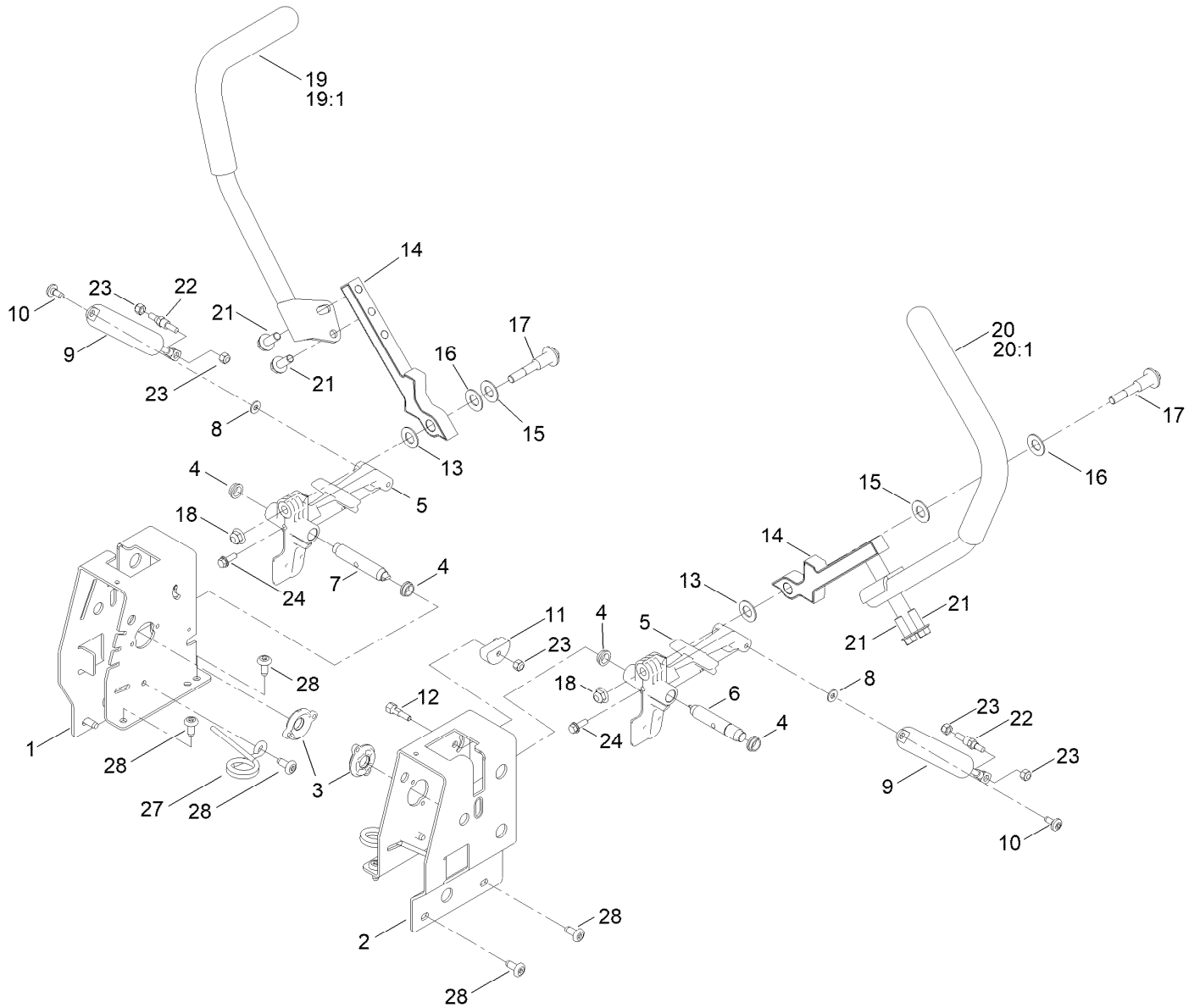
# Seat Assembly No. 147-8761



## Seat Assembly No. 147-8761 (continued)

<i>Ref.</i>	<i>Part Number</i>	<i>Qty.</i>	<i>Description</i>	<i>Ref.</i>	<i>Part Number</i>	<i>Qty.</i>	<i>Description</i>
1	147-7732	1	Seat ASM	4	161-6184	1	Toro Seat Cover
2	161-6183	1	Toro Back Cover	5	147-8740	1	Slide ASM-Seat
3	147-8736	1	Seat Switch Delta 6500-02 Open	6	119-4036	4	Screw-HHF
				7	82-2190	1	Switch-Bail

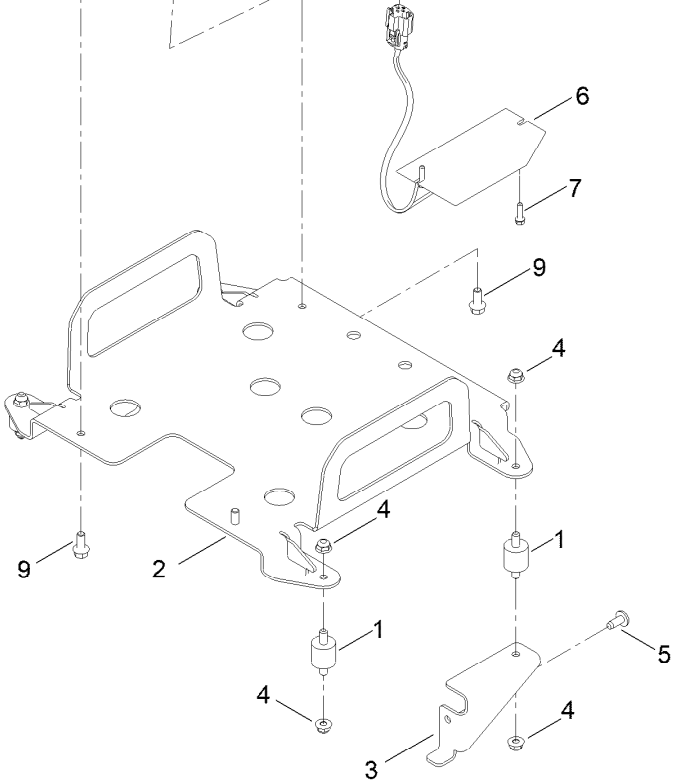
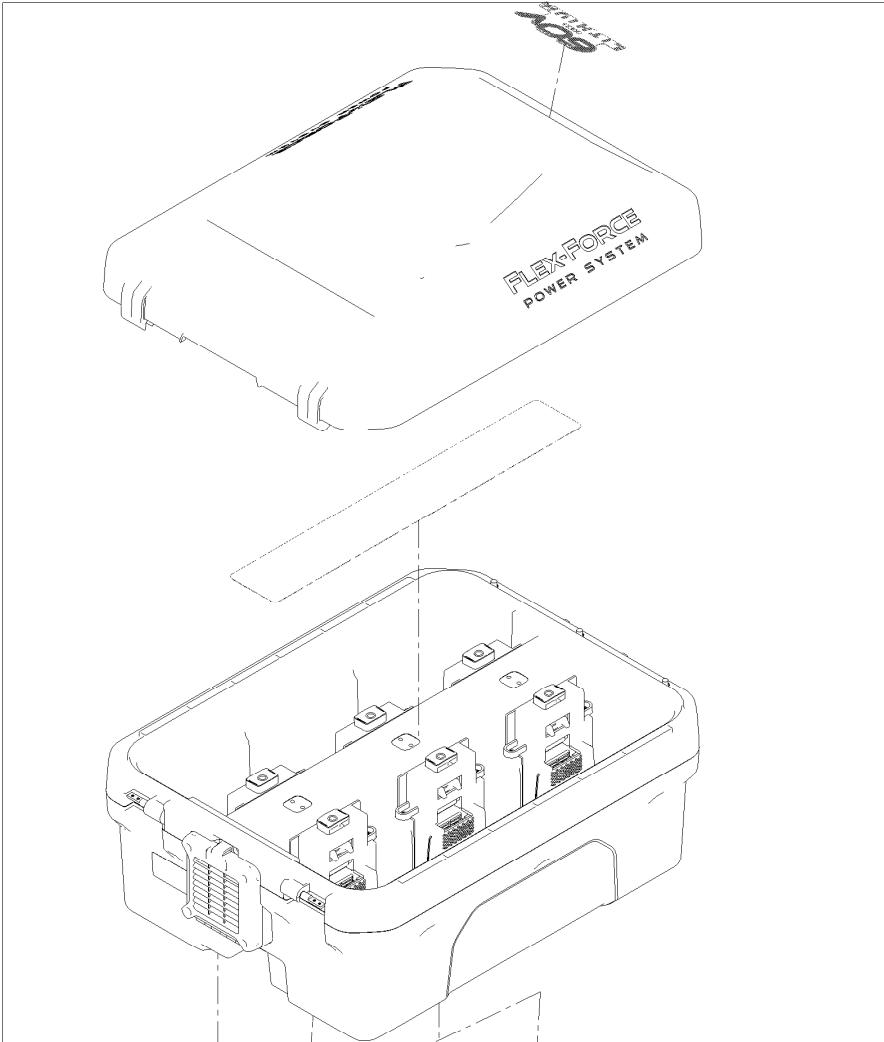
# Motion Control Assembly



## Motion Control Assembly (continued)

<i>Ref.</i>	<i>Part Number</i>	<i>Qty.</i>	<i>Description</i>	<i>Ref.</i>	<i>Part Number</i>	<i>Qty.</i>	<i>Description</i>
1	140-8322-03	1	Plate-Control Box, RH	15	117-1240	2	Washer
2	140-8342-03	1	Plate-Control Box, LH	16	119-8925	2	Washer-Belleville
3	147-7552	2	Spacer-Sensor	17	139-2556	2	Bolt-Pivot
4	147-7551	4	Bushing-Flange	18	119-4042	2	Nut-HF, NI
5	147-2903	2	Arm-Actuator	19	133-7057	1	Handle-Control, RH
6	147-3009	1	Pin-Lever Pivot, LH	19:1	121-0726	1	Grip
7	147-3010	1	Pin-Lever Pivot, RH	20	133-7055	1	Handle-Control, LH
8	119-8952	2	Washer	20:1	121-0726	1	Grip
9	132-6853	2	Damper-Non Cavitating	21	139-2597	4	Screw-HHF
10	120-7950	2	Screw-Torx	22	138-7215	2	Stud-Damper
11	139-5803	2	Eccentric	23	137-3088	6	Nut-Hex
12	139-5811	2	Bolt-Pivot, Eccentric	24	119-1138	2	Screw-HHF
13	120-2273	2	Washer-Nylon	27	138-7539	2	Spring-Torsion
14	133-9299-05	2	Arm-Control	28	138-9753	10	Screw

# Battery Box Assembly

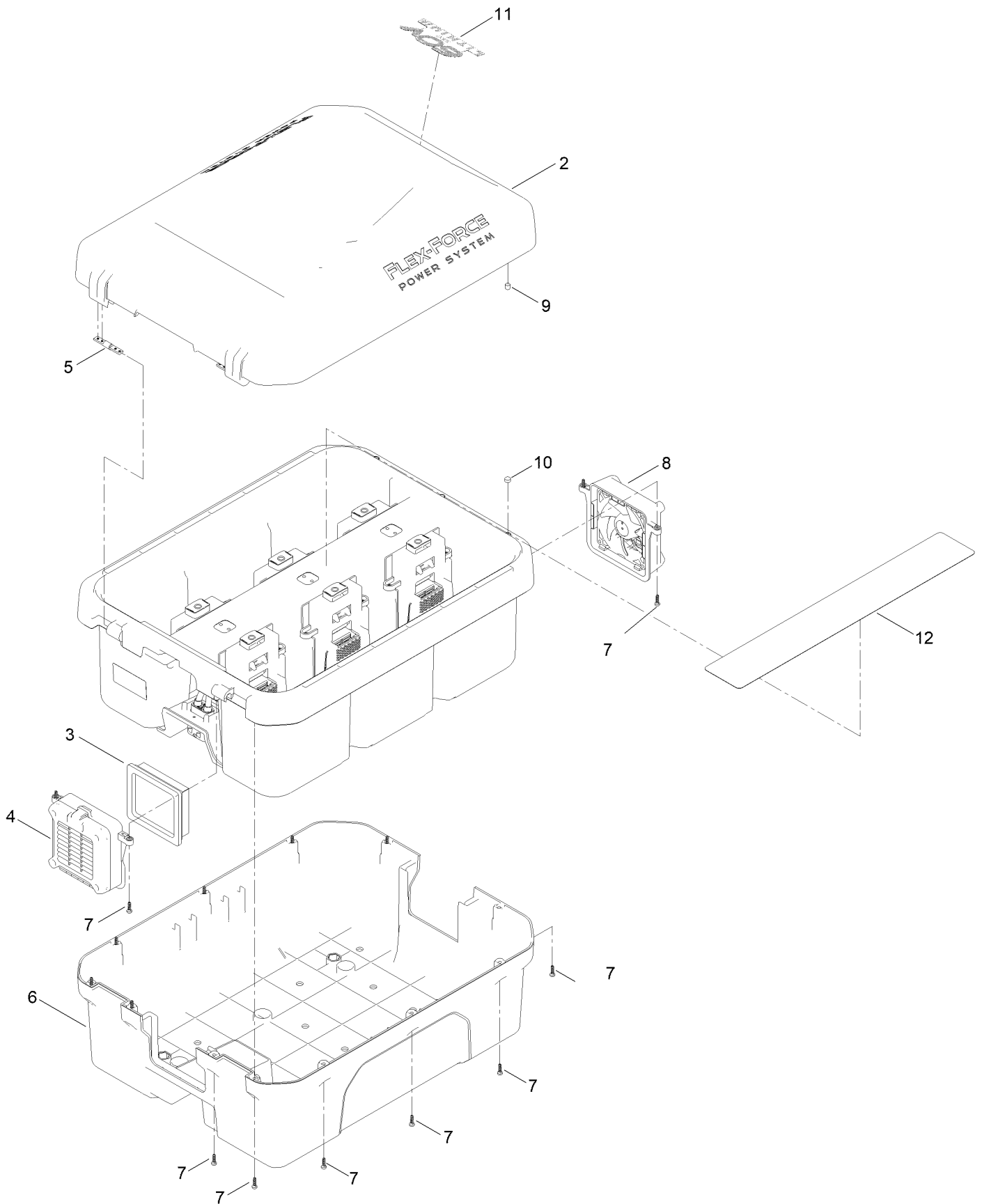




## Battery Box Assembly (continued)

<i>Ref.</i>	<i>Part Number</i>	<i>Qty.</i>	<i>Description</i>	<i>Ref.</i>	<i>Part Number</i>	<i>Qty.</i>	<i>Description</i>
1	147-7605	4	Isolator-1 In OD (5/16-18)	6	147-2192	1	Resistor-Regen
2	161-4468-01	1	Battery Mount ASM [red]	7	145-6922	2	Screw-HWH Thd Roll Zct+w
3	147-7672-03	2	Mount-Box, Rear	8	161-4483	1	Box-Battery, ASM
4	119-4041	8	Nut-HF	9	139-2598	4	Screw-HHF
5	138-9753	2	Screw				

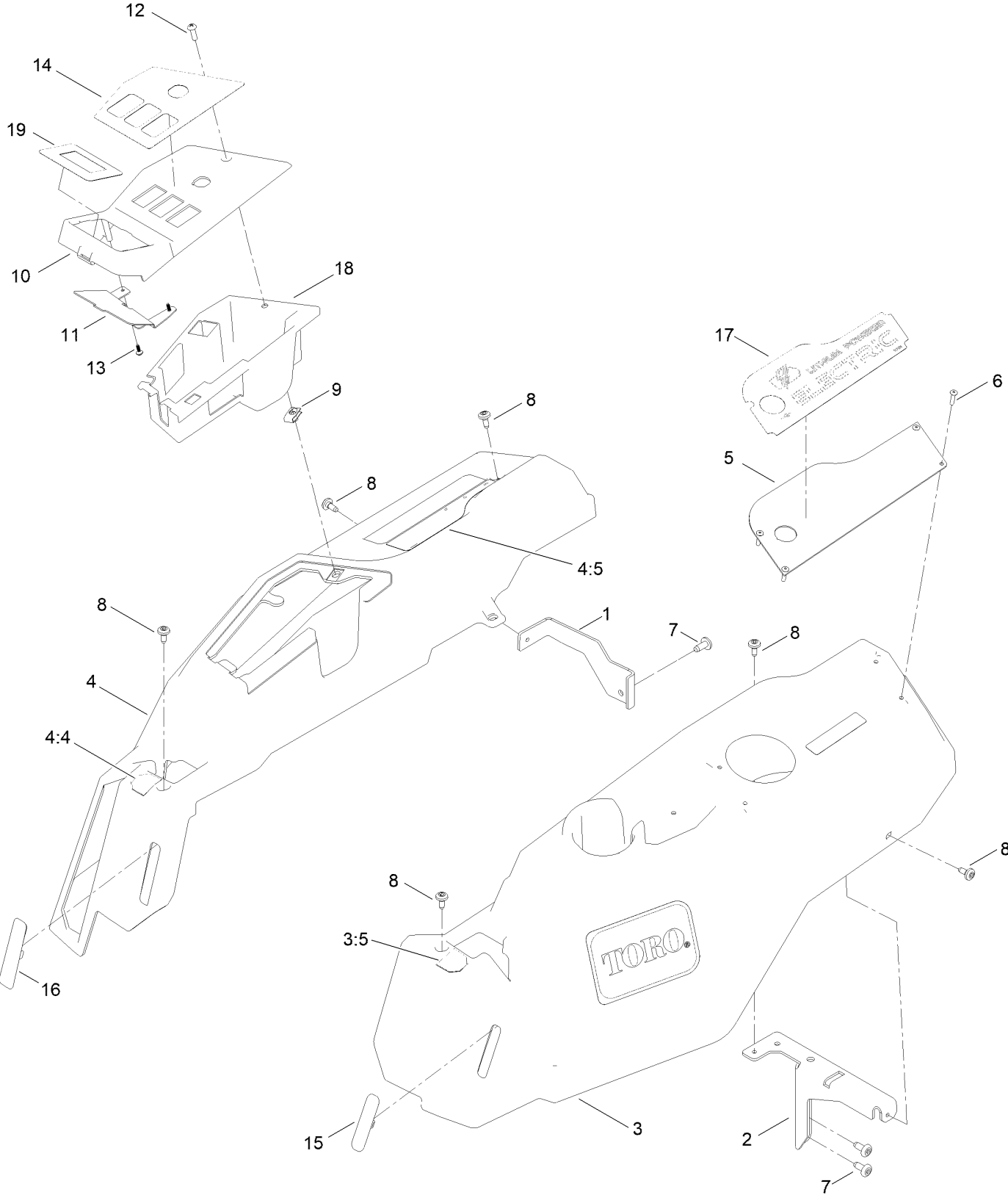
# Battery Box Assembly No. 161-4483



## Battery Box Assembly No. 161-4483 (continued)

<i>Ref.</i>	<i>Part Number</i>	<i>Qty.</i>	<i>Description</i>	<i>Ref.</i>	<i>Part Number</i>	<i>Qty.</i>	<i>Description</i>
2	147-5348	1	Cover-Box, Battery	8	161-4487	1	Fan-ASM
3	147-5345	1	Filter-Air	9	161-4645	3	Magnet-Lid, Battery Box
4	147-5344	1	Housing-Filter	10	161-4646	3	Magnet-Base, Battery Box
5	161-4648	2	Hinge-Box ASM, Battery	11	147-4208	1	Decal-60V, Lithium
6	147-5342	1	Box-Battery, Outer	12	147-7621	1	Decal-Lithium
7	161-4486	16	Screw-Plastic 4Mmx14MM, Globe				

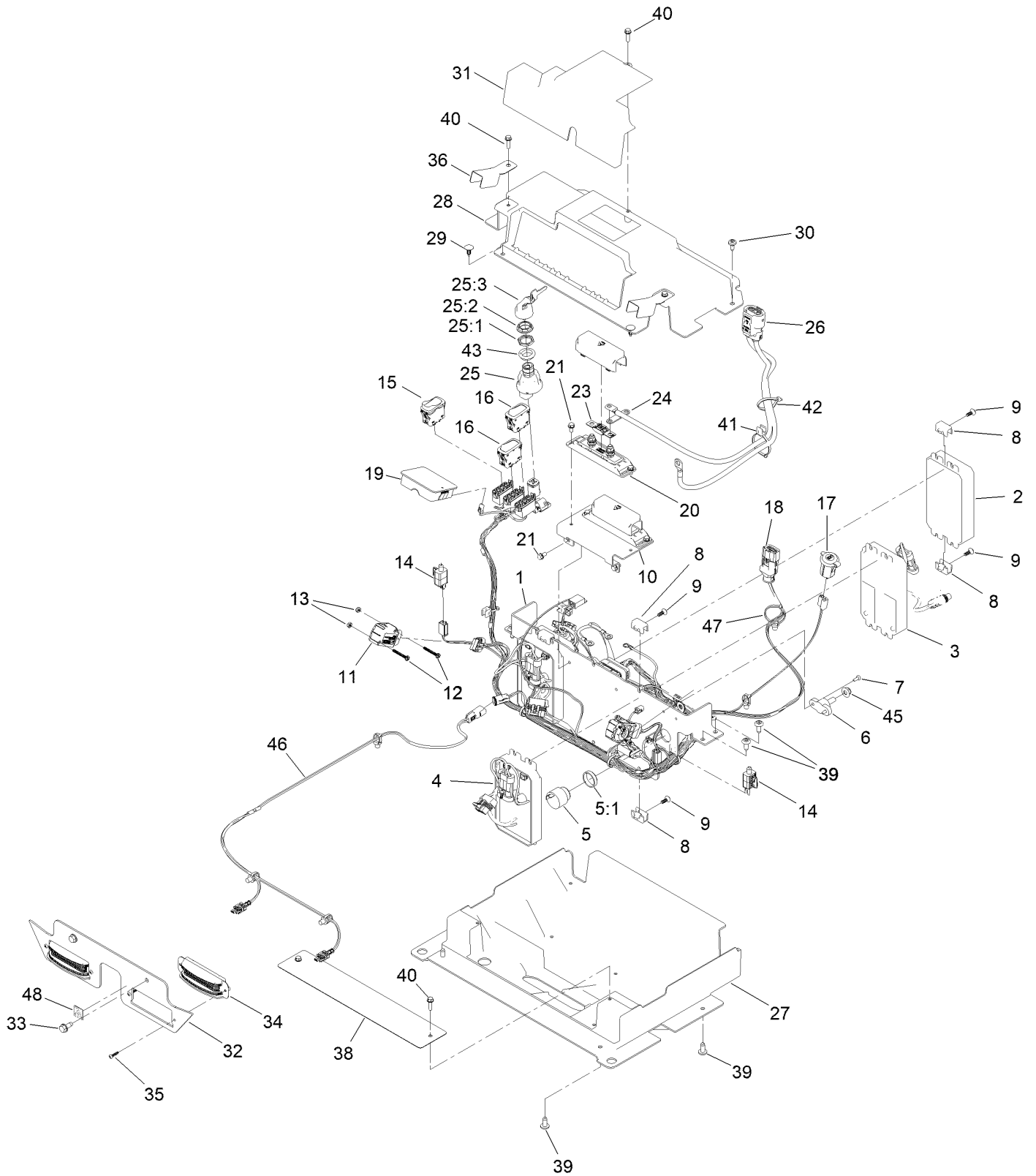
# Styling Pod Assembly



## Styling Pod Assembly (continued)

<i>Ref.</i>	<i>Part Number</i>	<i>Qty.</i>	<i>Description</i>	<i>Ref.</i>	<i>Part Number</i>	<i>Qty.</i>	<i>Description</i>
1	138-9810-03	1	Bracket-Pod	9	107069	1	Clip
2	138-6071-03	1	Support-Pod, LH	10	147-7576	1	Pod-Control
3	145-0501	1	Pod-LH	11	147-7577-03	1	Cover-Console
3:5	147-7620	1	Decal - Control Lever, LH	12	3258-166	1	Screw-PRH
4	147-7742	1	Pod-RH, Myride	13	145-5837	2	Screw-Plastic,Tbfh
4:4	147-7619	1	Decal - Control Lever, RH	14	147-7614	1	Decal-Panel, Control
4:5	139-2397	1	Decal-Adjustment	15	147-7629	1	Plug-Pod, LH
5	145-0502-03	1	Plate-Cover, Pod	16	147-7691	1	Plug-Sc
6	130-8451	4	Rivet-Trifold	17	147-7461	1	Decal-60V Lithium
7	138-9753	3	Screw	18	147-7666	1	Cover-Switch
8	120-7950	6	Screw-Torx	19	147-7715	1	Decal-Gt Display

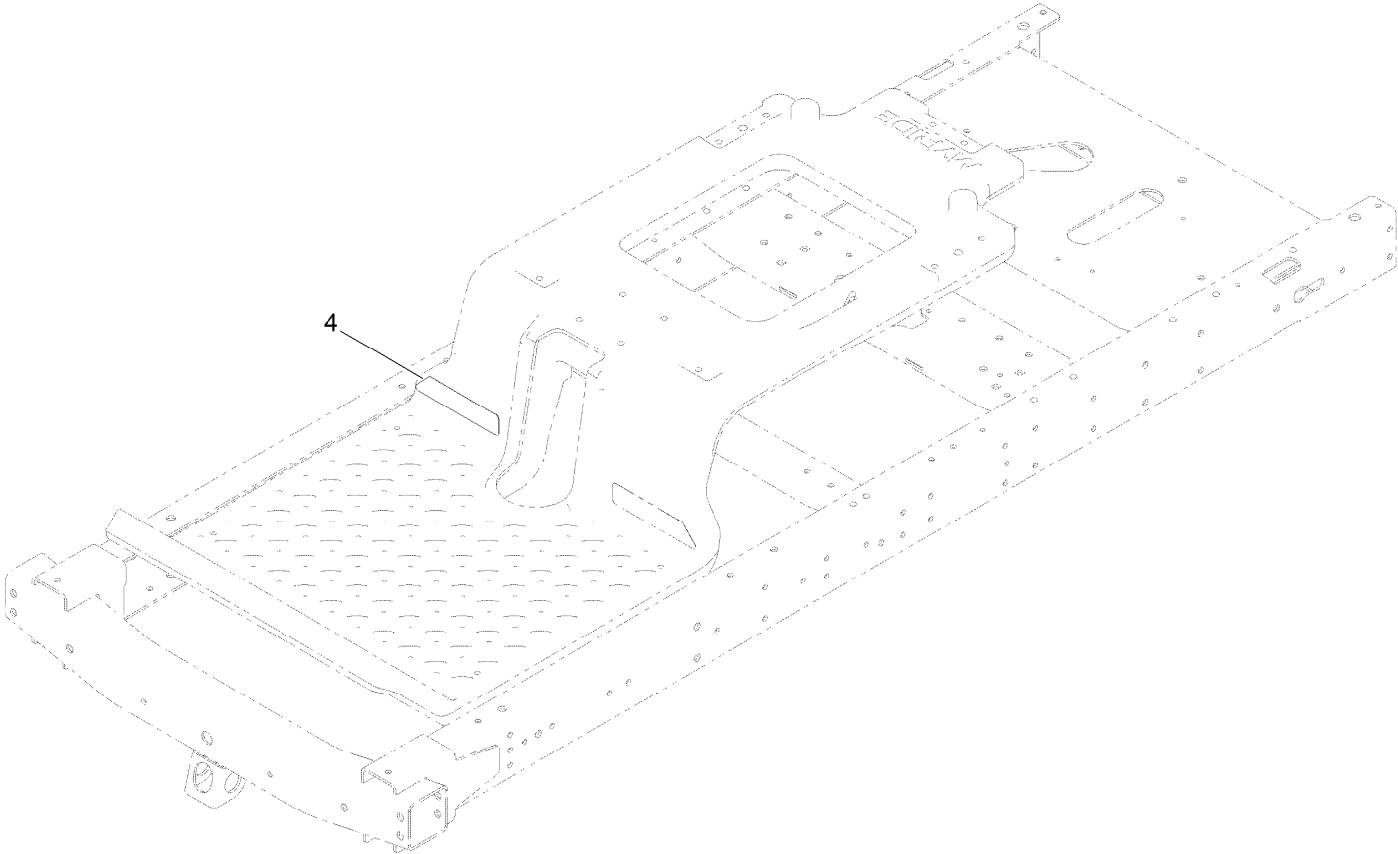
# Electrical Assembly



## Electrical Assembly (continued)

<i>Ref.</i>	<i>Part Number</i>	<i>Qty.</i>	<i>Description</i>	<i>Ref.</i>	<i>Part Number</i>	<i>Qty.</i>	<i>Description</i>
1	147-7667-03	1	Mount-Controllers	25	122-2513	1	Switch-Ignition, Suns
2	147-7631	1	Controller-Master	25:1	121-5160	1	Nut-Hex
3	147-7635	2	Controller-Traction	25:2	122-2704	1	Nut-Face, M22 (Plastic)
4	147-7633	2	Controller-Deck	25:3	121-5162	1	Set-Key, Ignition
5	80-9330	1	Audio Alarm ASM	26	147-7584	1	Harness-Wire, Power Cable
5:1	104-5107	1	Nut-Plastic, Knurled	27	147-7668	1	Cover-Bottom
6	110-8823	1	Block-Junction	28	147-7670	1	Cover-Controller
7	105-6849	2	Screw-Forming, Thread	29	117-2382	2	Plug-Plastic
8	145-0586	6	Clip-Controller	30	120-7950	2	Screw-Torx
9	138-5775	6	Screw-Delta Point	31	147-7680	1	Cover-Outer
10	147-5200-03	1	Mount-Holder, Fuse	32	139-7488-01	1	Mount-Head Lights
11	140-8373	2	Sensor	33	32144-70	2	Screw-HWHTF
12	147-7729	4	Screw-HWH	34	139-5825	2	ASM-Light,LED
13	147-7730	4	Nut-Hex NI	35	94-4496	4	Screw-PPH
14	110-6765	2	Switch	36	147-7681-03	2	Cover-Sensor
15	139-6368	1	Switch-Rocker, On-None-On	38	147-7719-03	1	Cover-Wire
16	145-0467	2	Switch-Rocker On- None- On	39	138-9753	8	Screw
17	140-7955	1	Port-Power, USB	40	137-3099	5	Screw-Plastite, HWH
18	139-6393	1	Harness-Wire, 2 Blade Main	41	32180-078	1	Clip-Edge
19	147-2198	1	Display	42	3290-378	1	Tie-Cable
20	145-4958	2	Holder-Fuse	43	145-7110	1	Adapter-Switch, Key
21	32144-4	6	Screw-HWH	45	119-4042	1	Nut-HF, NI
23	122-2559	2	Fuse-100 Amp	46	147-8762	1	Harness-Wire, LED Lights
24	147-5340	1	Busbar-2, Switch	47	32180-030	1	Clip-Tie
				48	147-0290	1	Decal-Light, Warning

# Decal Specific Assembly

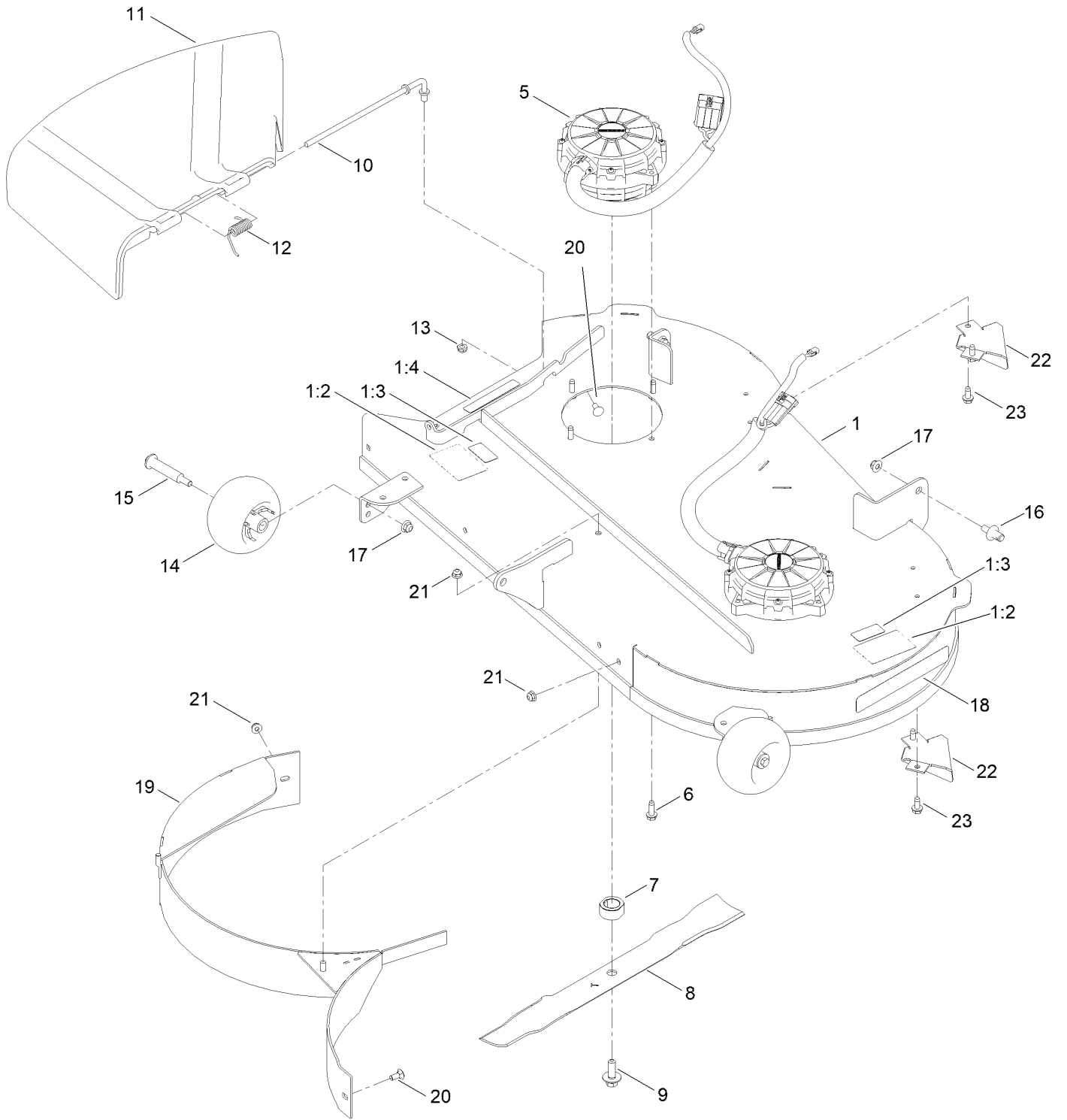




## Decal Specific Assembly (continued)

<i>Ref.</i>	<i>Part Number</i>	<i>Qty.</i>	<i>Description</i>
4	161-4550	1	Decal Emr4275

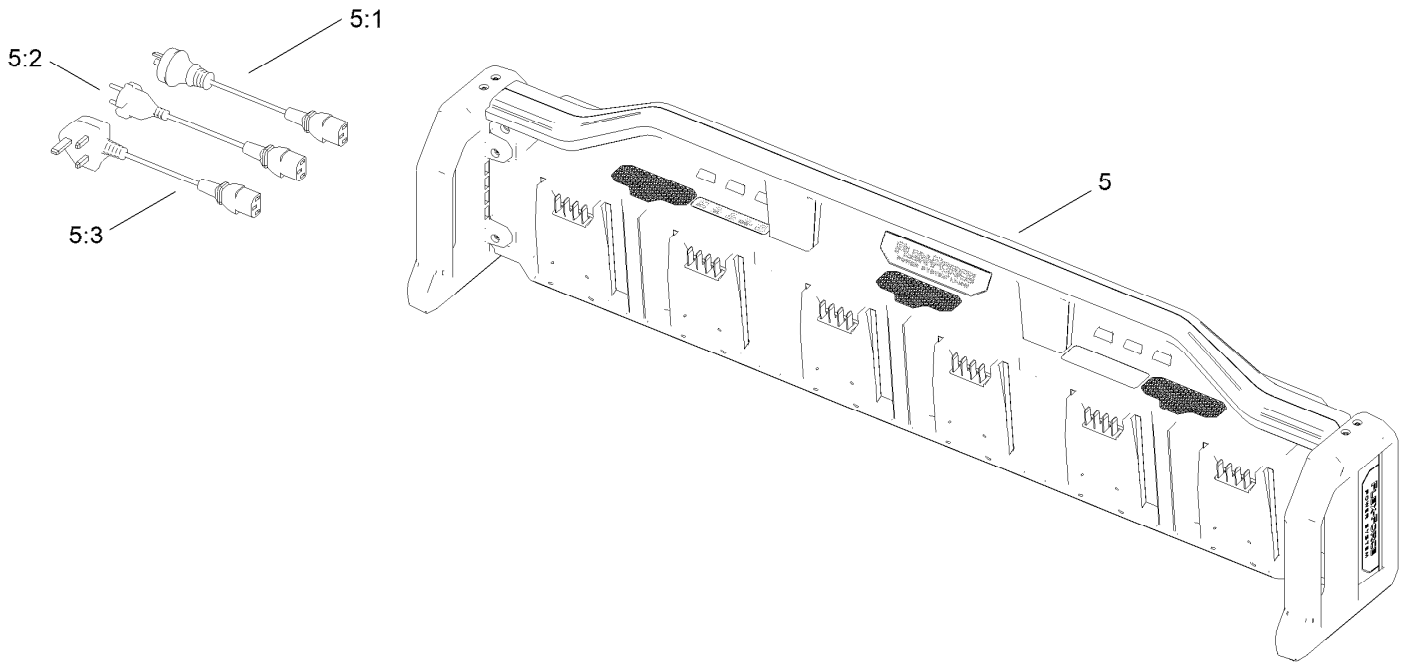
# 42in Deck and Decal Assembly



## 42in Deck and Decal Assembly (continued)

<i>Ref.</i>	<i>Part Number</i>	<i>Qty.</i>	<i>Description</i>	<i>Ref.</i>	<i>Part Number</i>	<i>Qty.</i>	<i>Description</i>
1	147-7654	1	42 In Deck And Decal ASM	13	121-4600	1	Nut-Hex
1:2	147-7615	2	Decal-Danger, Deck	14	1-603299	2	Roller-Scalp, Anti
1:3	137-8127	2	Decal-No Spray	15	139-2551	2	Bolt-Shoulder
1:4	130-0731	1	Decal-Danger	16	139-5871	2	Pin-Deck
5	140-8379	2	Motor-Deck	17	119-4042	4	Nut-HF, NI
6	136-7174	8	Screw-Thd Roll, HWH	18	140-4184	1	Decal
7	140-8361	2	Driver-Blade	19	147-7678-03	1	Baffle-Recycling [welded][black]
8	144-1948-03	2	Blade-21.60 In, Combination	20	139-2630	2	Bolt-CARR
9	145-0411	2	Bolt-Blade, Sems	21	119-4041	4	Nut-HF
10	137-2019	1	Rod-Pivot	22	119-3389-03	2	Kicker-Flanged
11	138-7502	1	Deflector-Discharge	23	32144-70	4	Screw-HWHTF
12	138-7268	1	Spring-Torsion				

# Battery Charger Kit Assembly



## Battery Charger Kit Assembly (continued)

<i>Ref.</i>	<i>Part Number</i>	<i>Qty.</i>	<i>Description</i>	<i>Ref.</i>	<i>Part Number</i>	<i>Qty.</i>	<i>Description</i>
5		1	Charger-Battery, Six Pod 60V 12 Amp CE ●	5:2	147-1872	1	Cord-Charger, Six Pod, CE
5:1	147-1871	1	Cord-Charger, Six Pod, Au/Nz	5:3	147-1873	1	Cord-Charger, Six Pod, Uk

● Not serviced separately

# Attachments and Accessories

## For 75642 eTimeCutter My Ride 4275T 107cm Riding Mower

<b>Product Name</b>	<b>Model/Part</b>
Sunshade Kit .....	140-2054
42 Inch Bagging Enhancement Kit.....	161-4521
42 Inch Striping Kit.....	161-4523
Heavy Duty Spring Kit.....	161-4525
Deck Footlift Assist Kit .....	161-4527
Floormat Kit .....	161-4529
Kit-Caster Wheel .....	161-4530
Storage Cover .....	490-7516
Charger-Battery, Six Pod 60V 12 Amp C .....	66560
60V 10.0 AH Battery LI-ION, CE .....	68810
60V Battery Charger 2 Amp CE .....	81802
60v Battery Charger 5 Amp International .....	81805
60V 2.0 AH Battery International.....	81820
60V 2.5 AH Battery CE .....	81825
60V 4.0 AH Battery CE .....	81850
60V 6.0 AH Battery CE .....	81860
60V 7.5 AH Battery CE .....	81875

**Notes:**



**Count on it.**